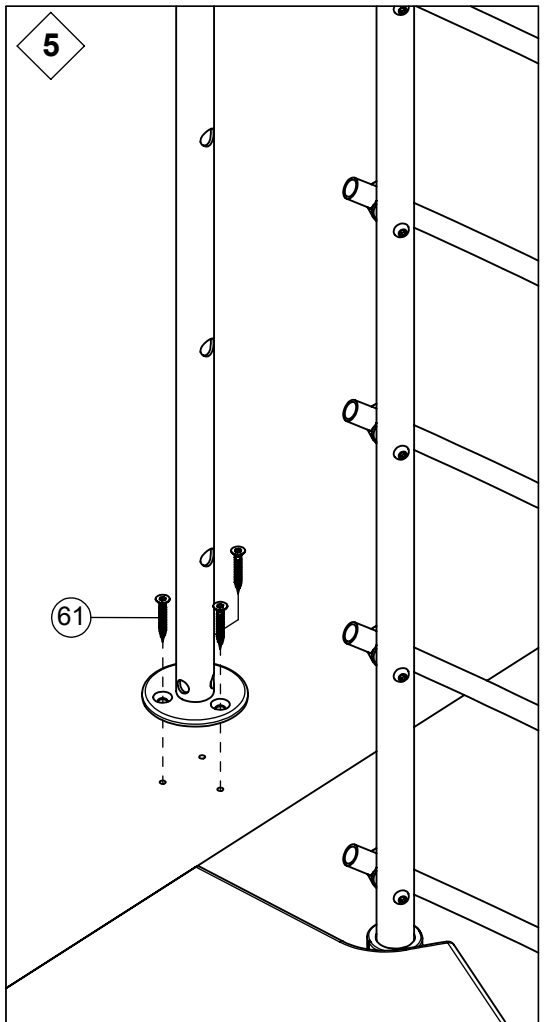
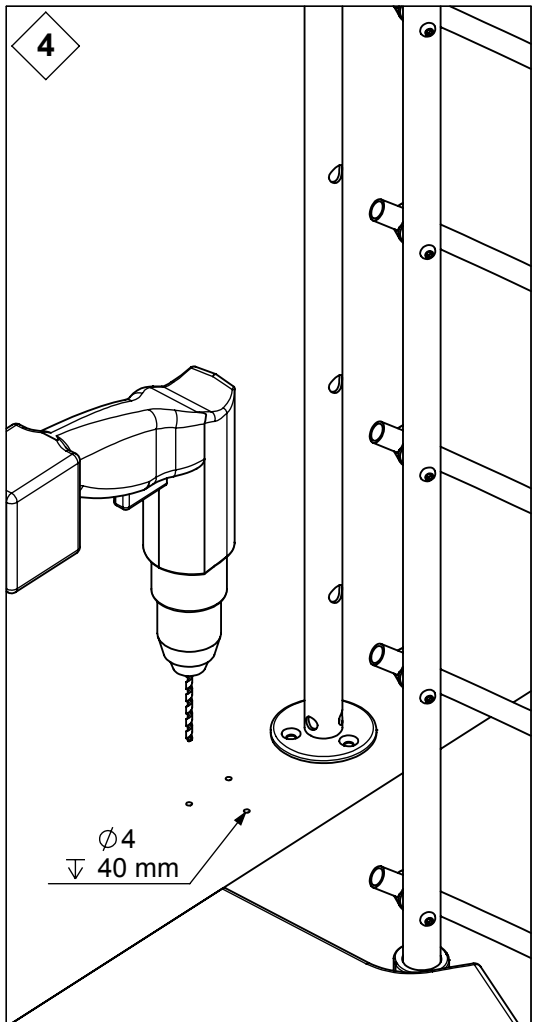
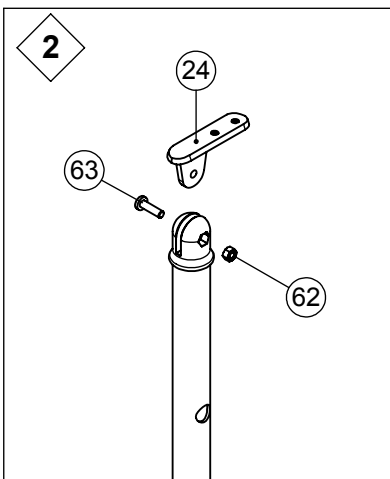
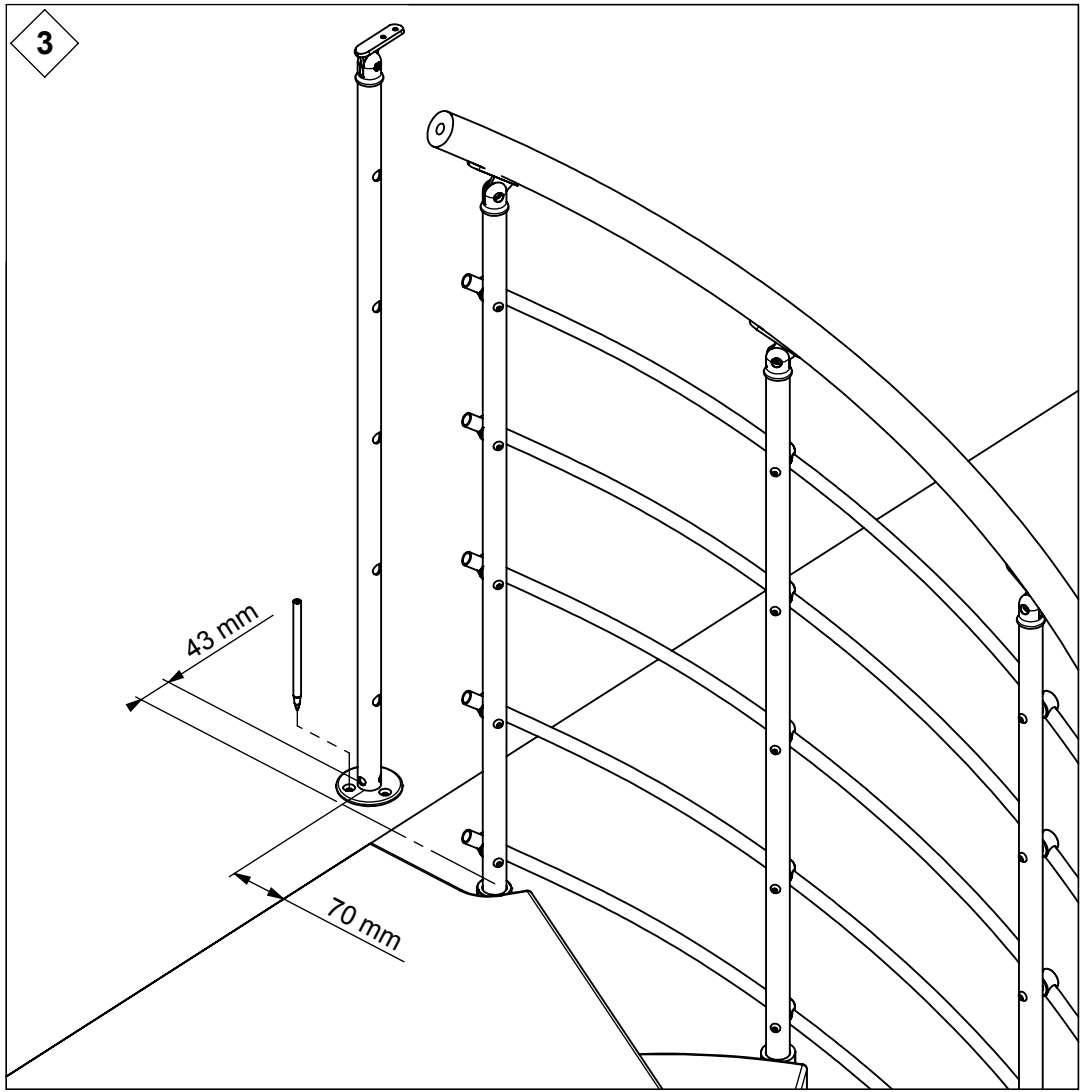
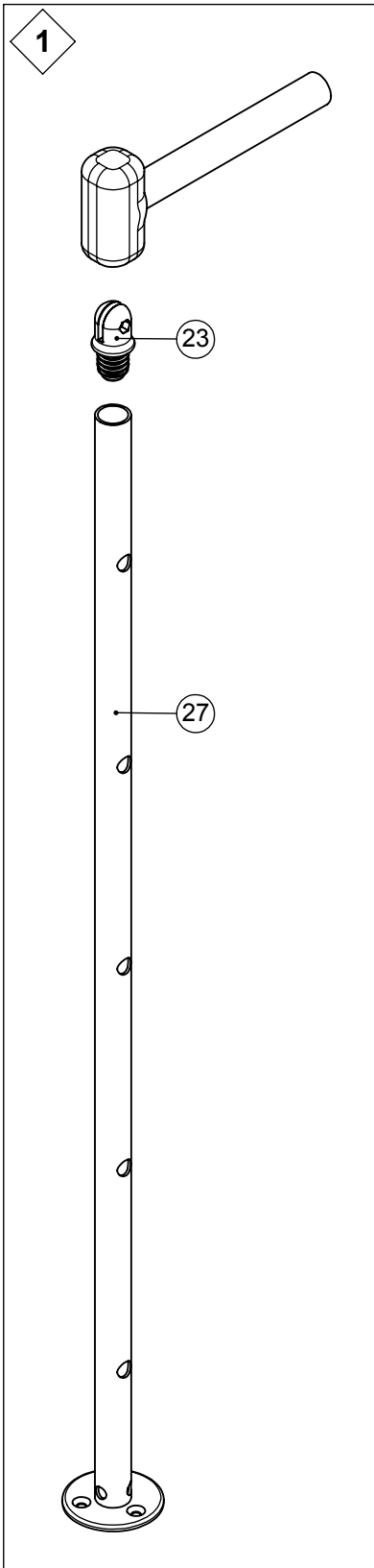
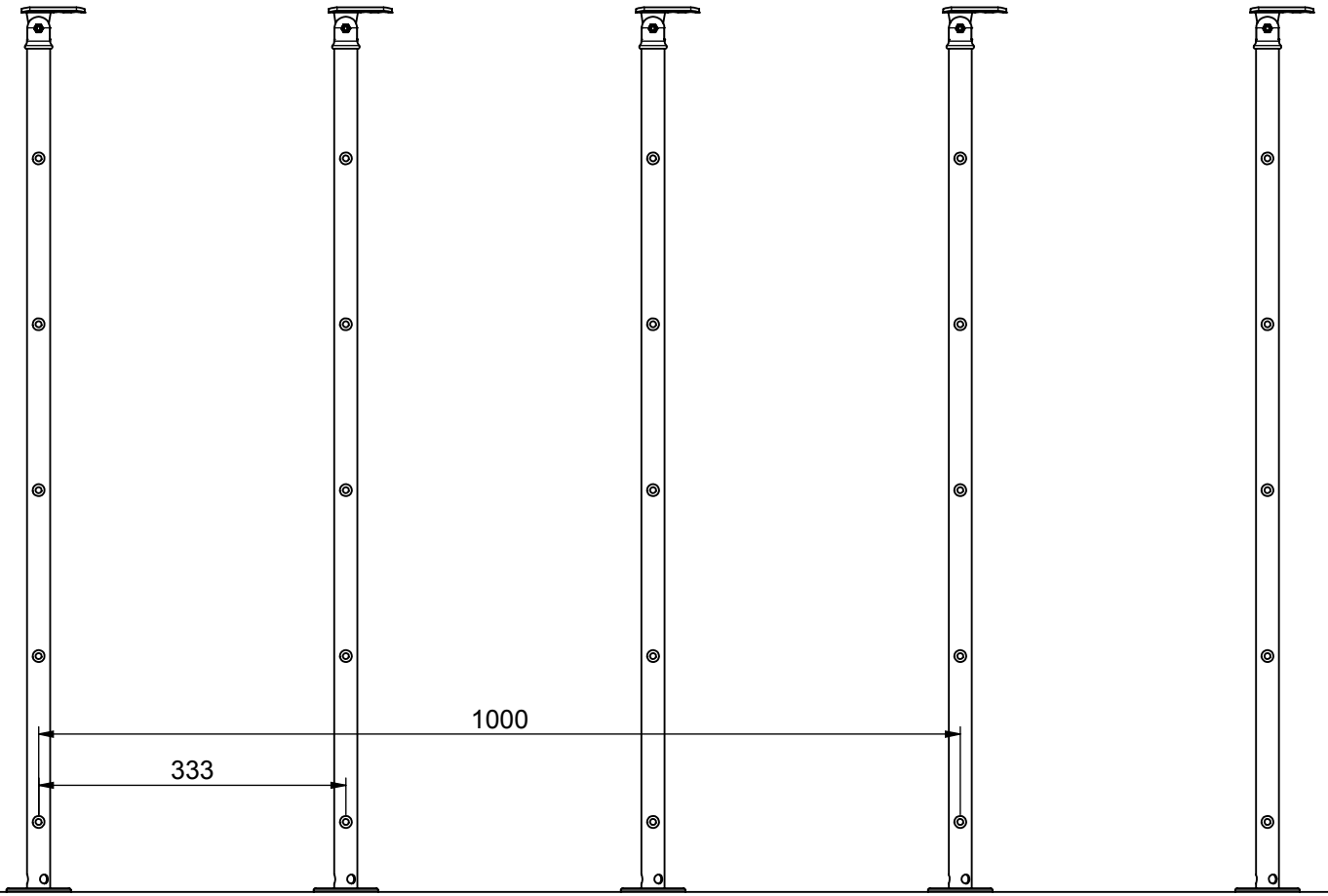




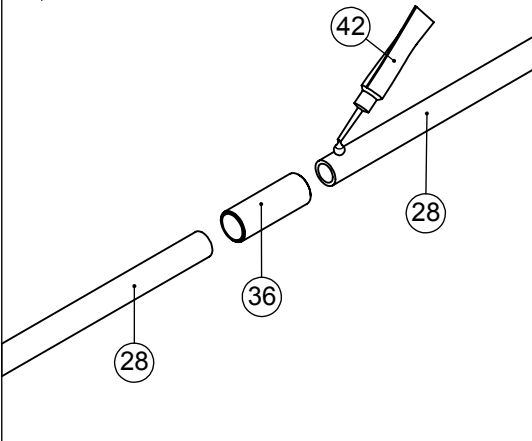
	(I) Start kit (II) Extension kit	Kit de départ Kit de suite	Startpaket Extrapaket	Startpakke Ekstrapakke	
<p>22</p> <p>Ø25 911</p> <p>(I): x4 (II): x3 K2-32020</p>	<p>23</p> <p>(I): x4 (II): x3 K1-32026</p>	<p>24</p> <p>(I): x4 (II): x3 K1-32025</p>	<p>25</p> <p>(I): x20 (II): x15 K1-32075</p>	<p>26</p> <p>(II): x1 K1-32100</p>	<p>27</p> <p>(I): x2 K2-32040</p>
	<p>28</p> <p>Ø15 1000</p> <p>(I): x5 (II): x5 K1-32072</p>				
	<p>29</p> <p>Ø40 1000</p> <p>(I): x1 K2-32521</p>				
	<p>30</p> <p>Ø40 1000</p> <p>(II): x1 K2-32522</p>				
<p>31</p> <p>Ø18,2</p> <p>(I): x5 K1-32094</p>	<p>32</p> <p>Ø18,2</p> <p>(I): x5 K1-32092</p>	<p>34</p> <p>(I): x5 K1-32070</p>	<p>36</p> <p>Ø18,2</p> <p>(II): x5 K1-32090</p>	<p>37</p> <p>(I): x1 K2-32055</p>	<p>38</p> <p>60</p> <p>(II): x1 K1-32630</p>
<p>42</p> <p>(I): x1 K3-90001</p>	<p>59</p> <p>(I): x20 (II): x15 K3-10250 M6x16</p>	<p>60</p> <p>(I): x4 R1-63616</p>	<p>61</p> <p>(I): x21 (II): x15 K3-10125 Ø5x35</p>	<p>62</p> <p>(I): x4 (II): x3 K3-10025 M5</p>	<p>63</p> <p>(I): x4 (II): x3 K3-10000 M5x18</p>
<p>64</p> <p>(I): x20 (II): x15 K3-10200</p>	<p>Torx 25 Torx 40 PH 2</p>				



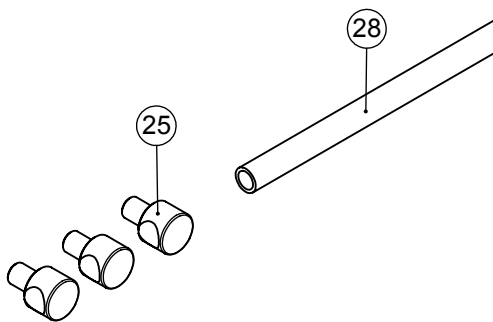
6



7



8



9

