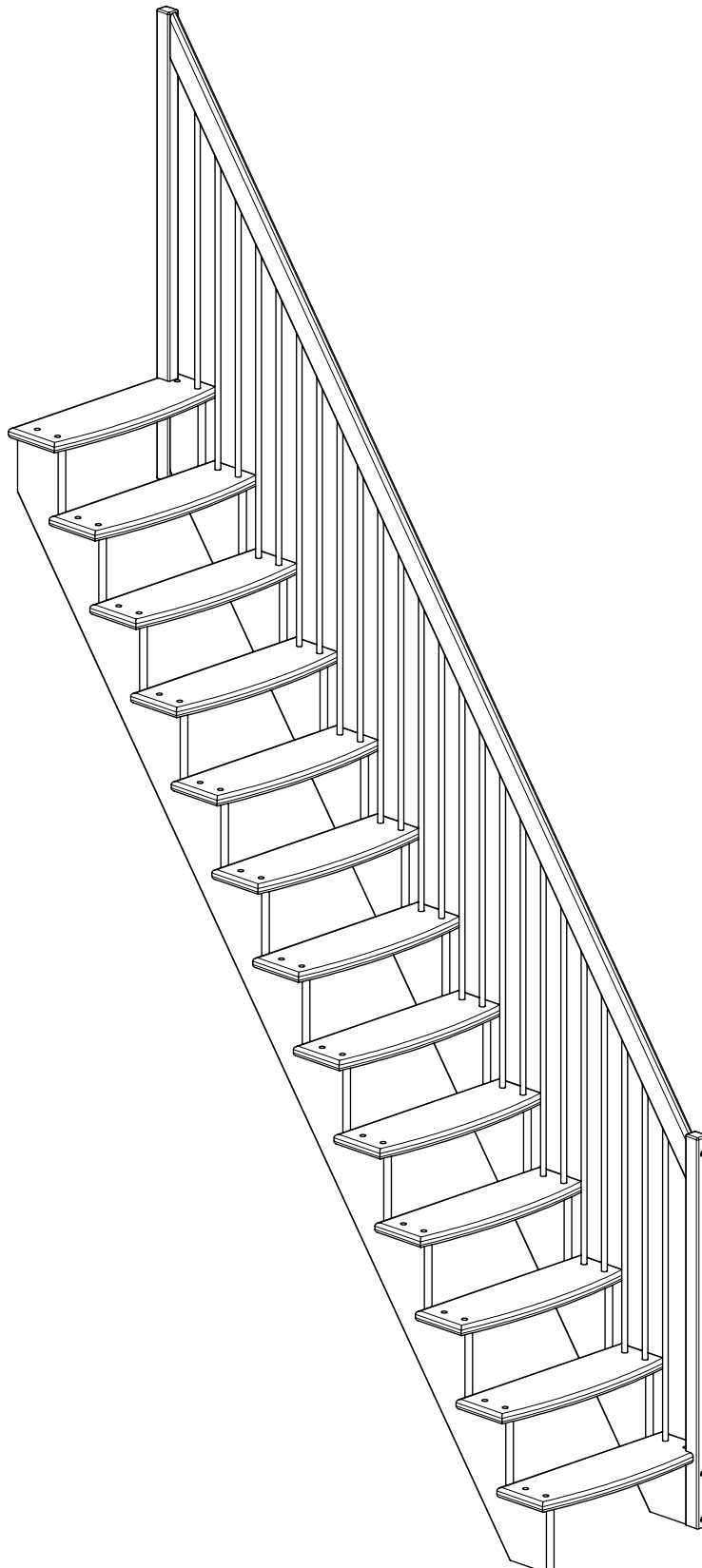
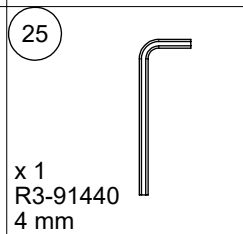
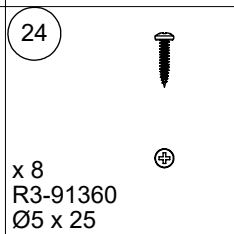
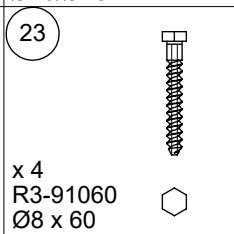
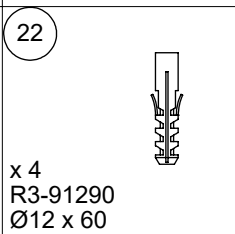
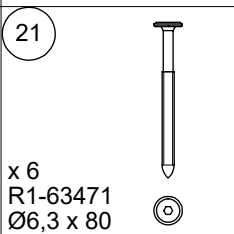
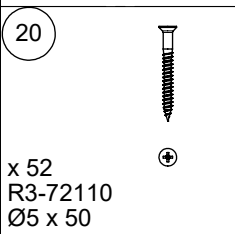
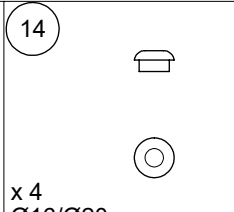
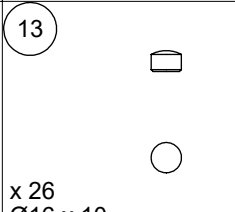
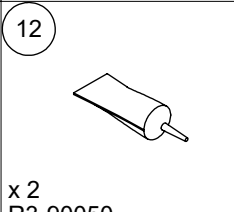
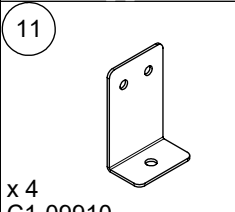
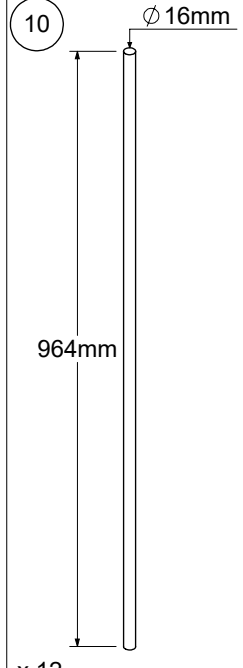
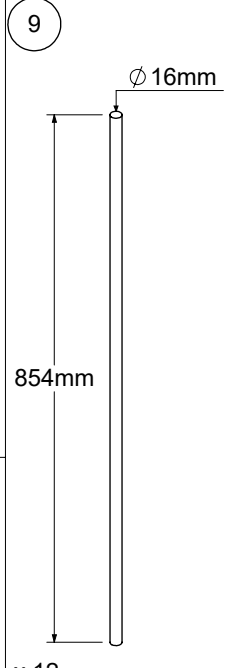
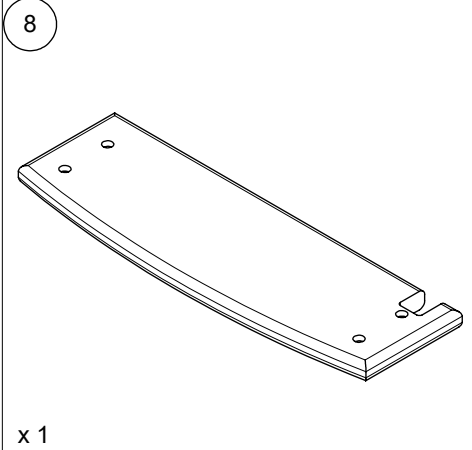
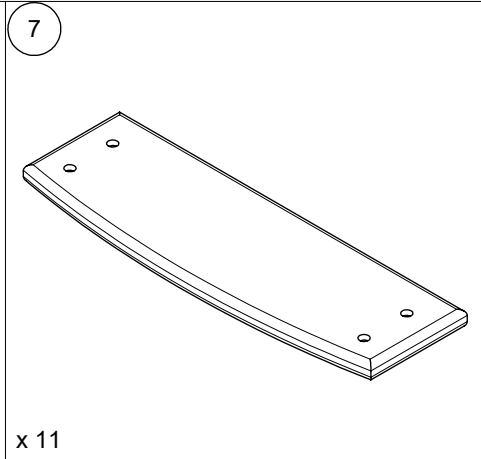
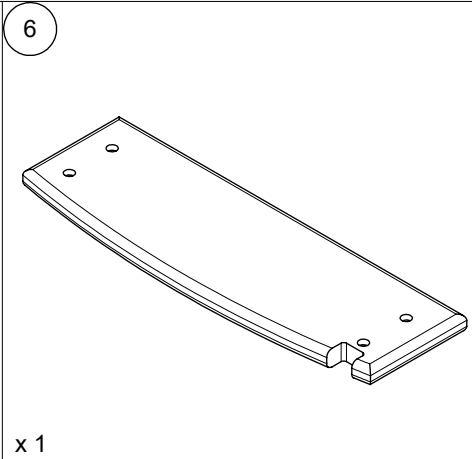
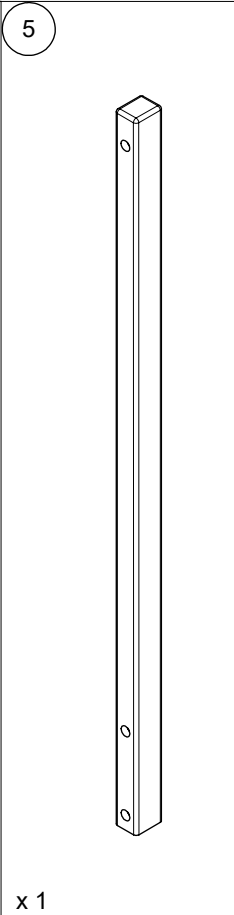
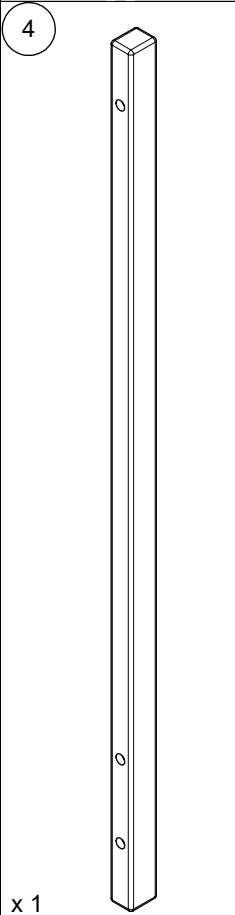
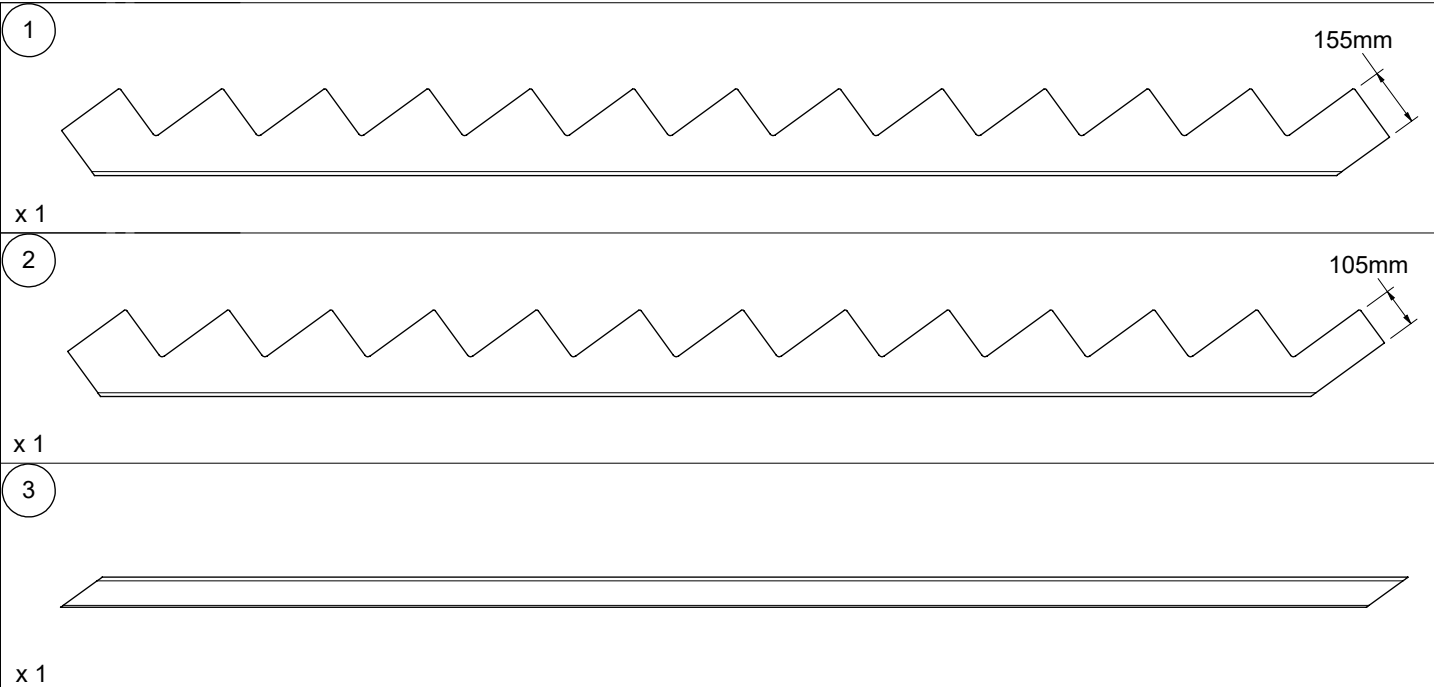
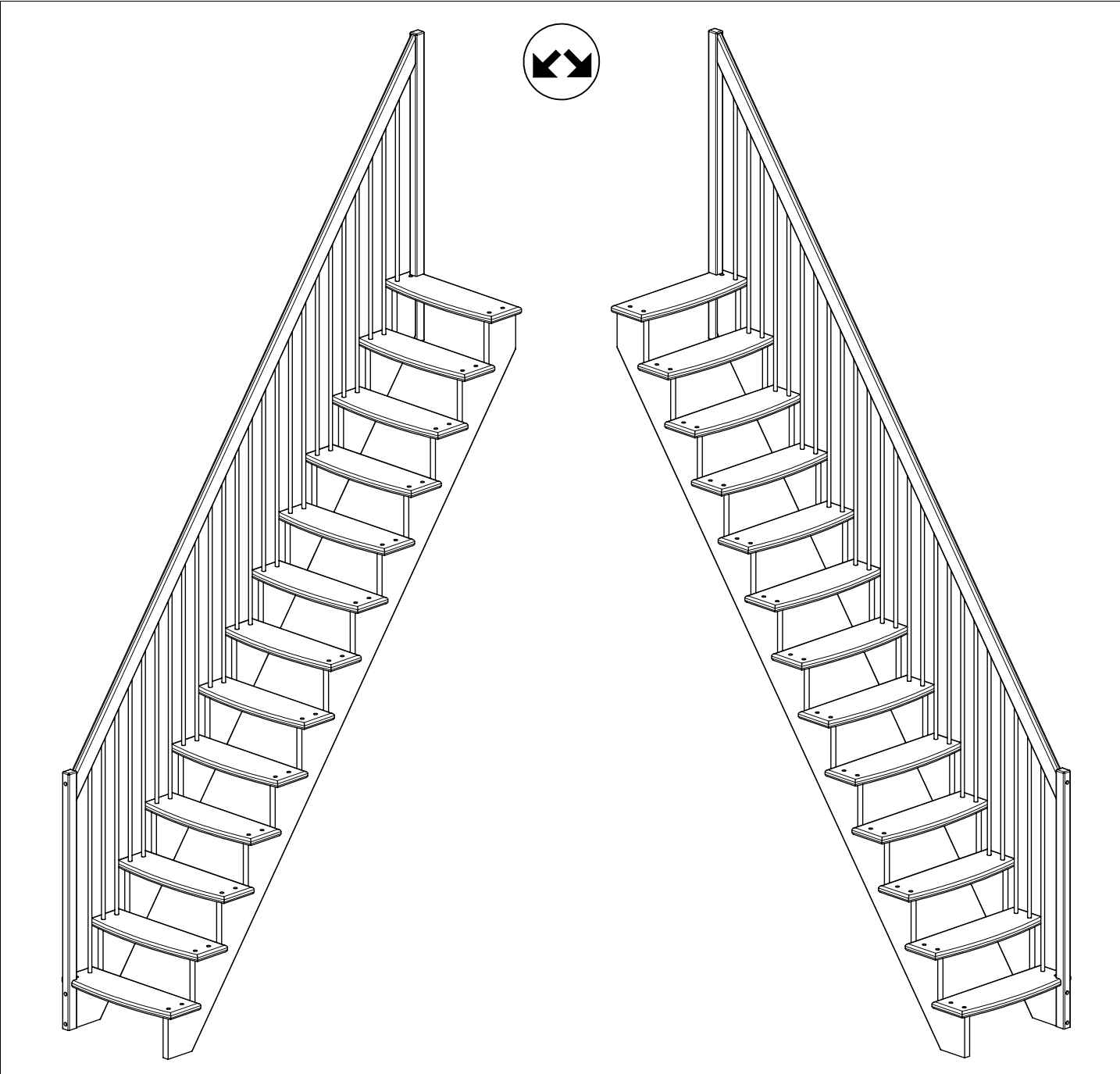
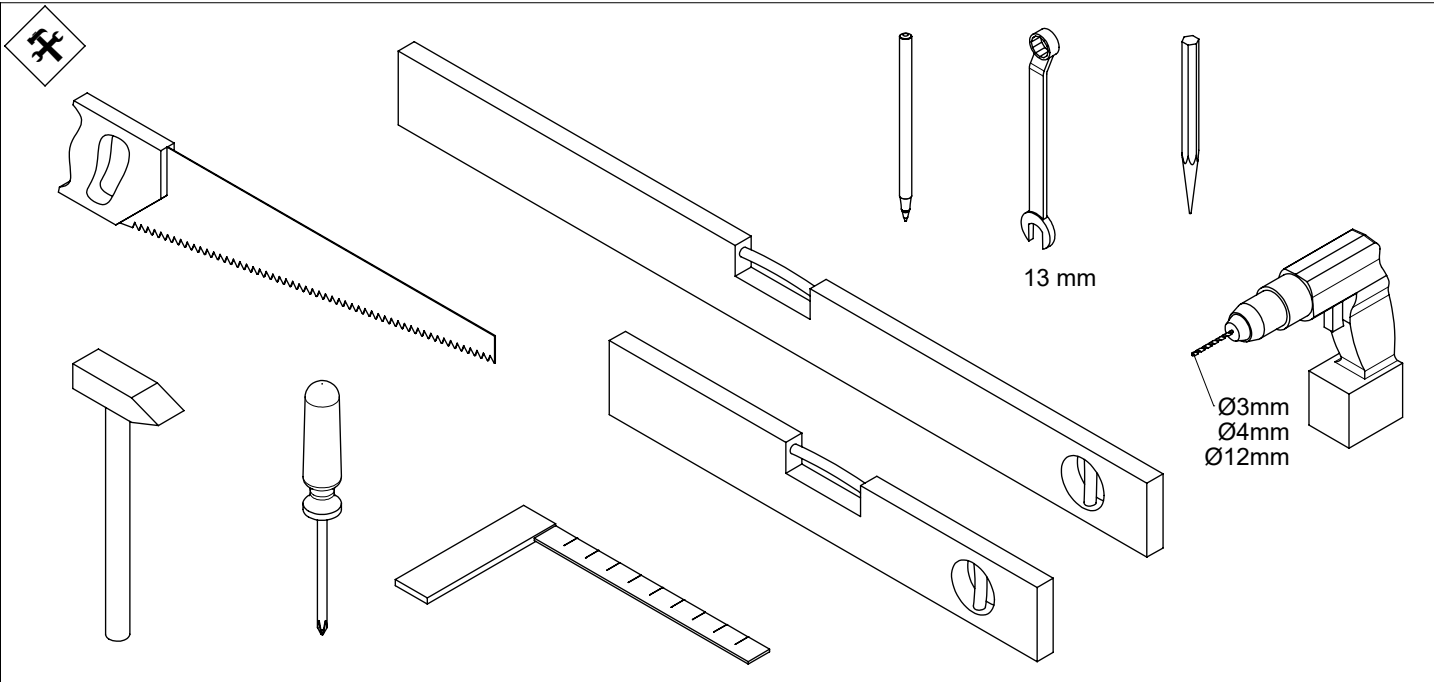


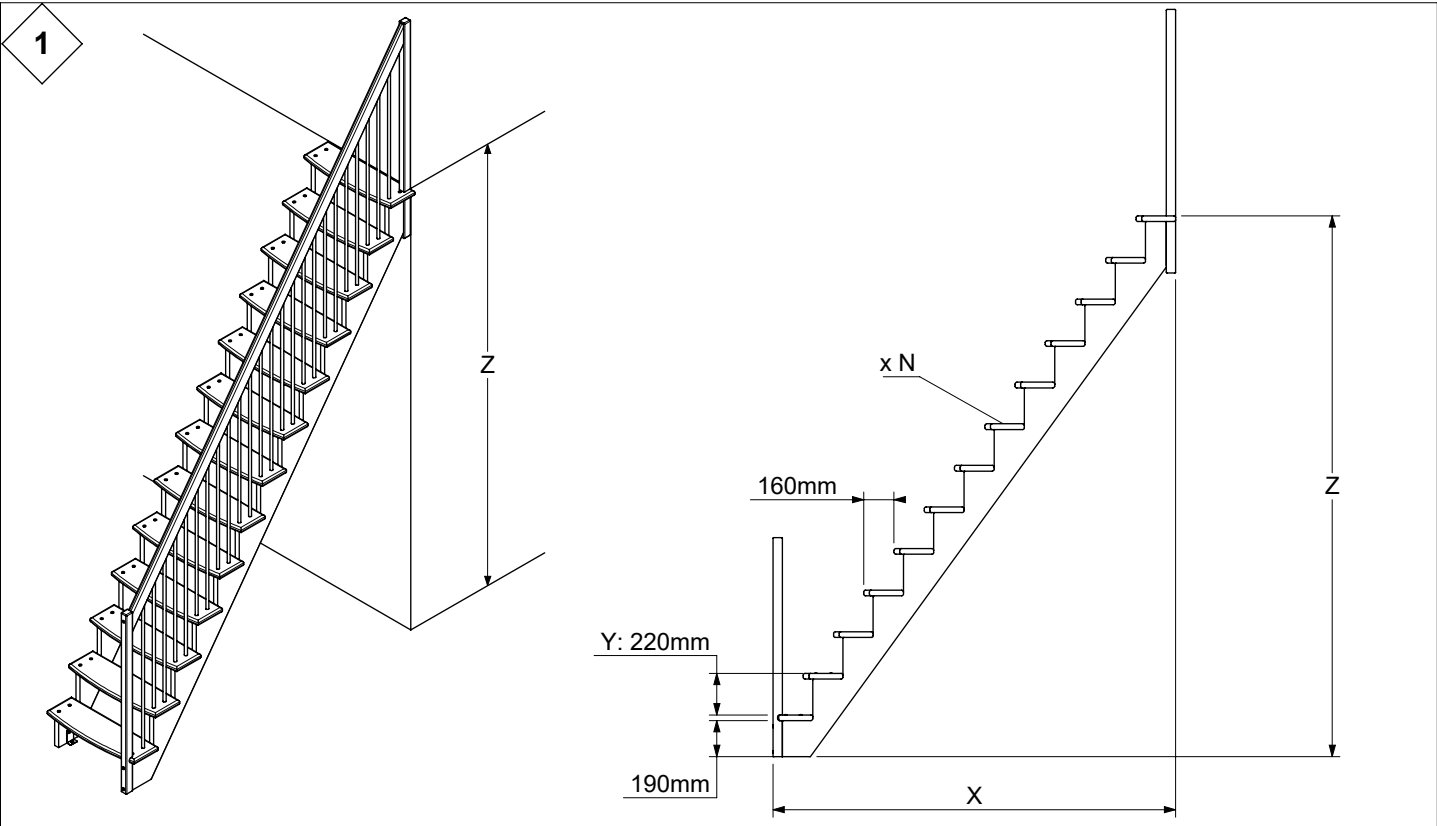
LYON

Installation instruction
Montageanleitung
Instruction de montage

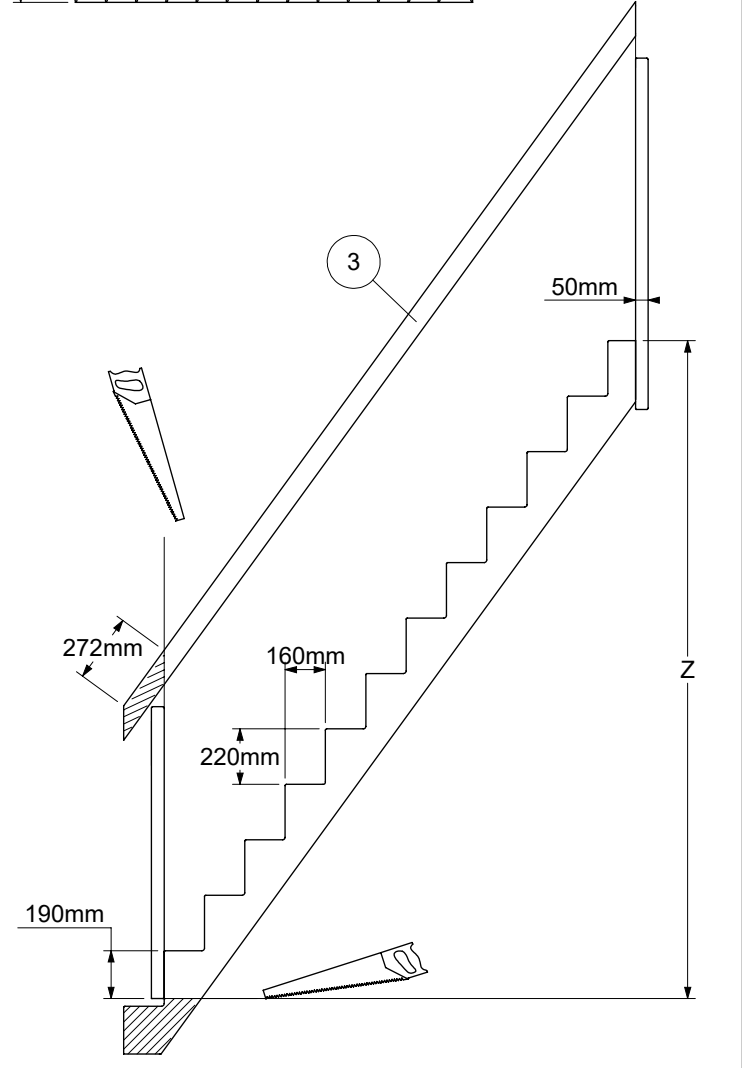
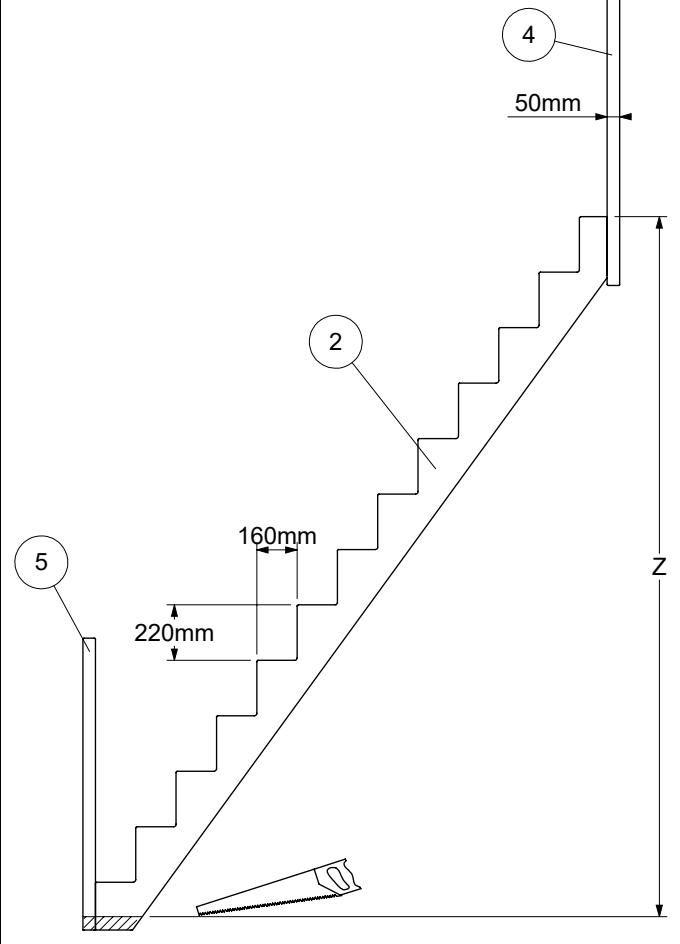
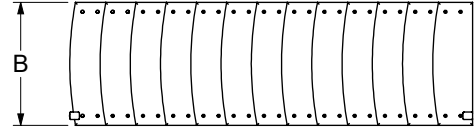




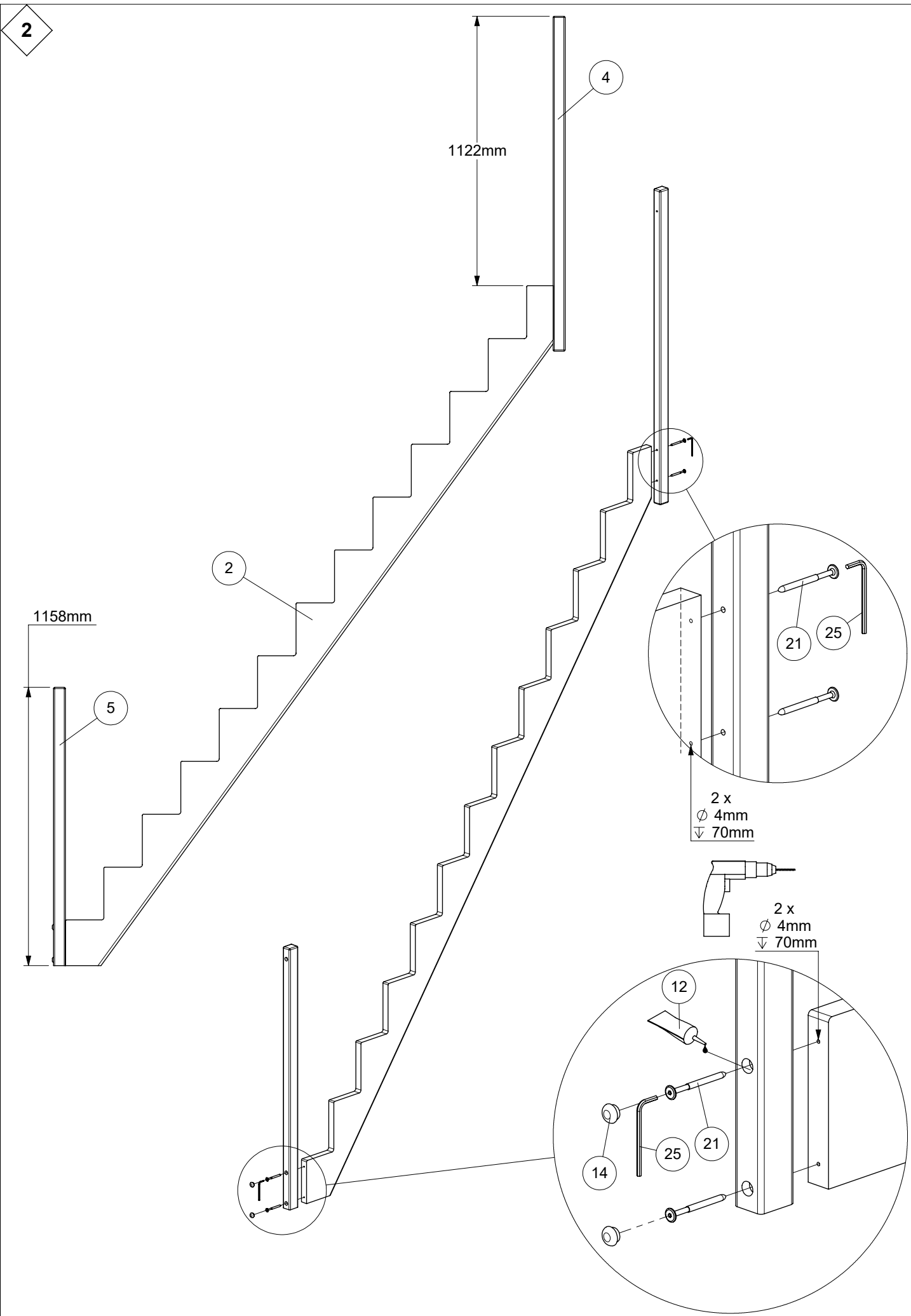




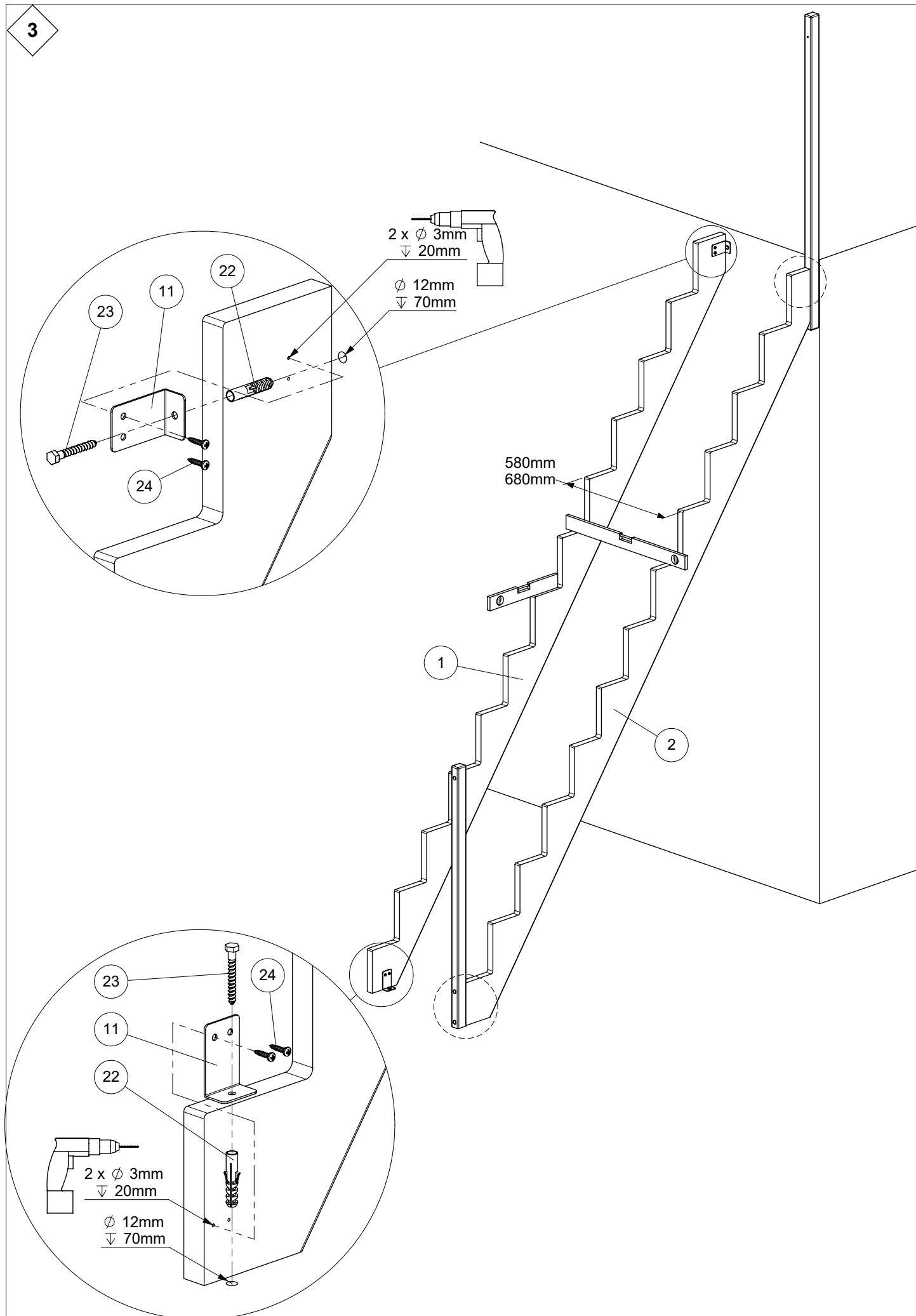
Y: 220mm			
N [st /p]	Z [mm]	X [mm]	
		B: 650mm	B: 750mm
11	2420	1810	1810
12	2640	1970	1970
13	2860	2130	2130



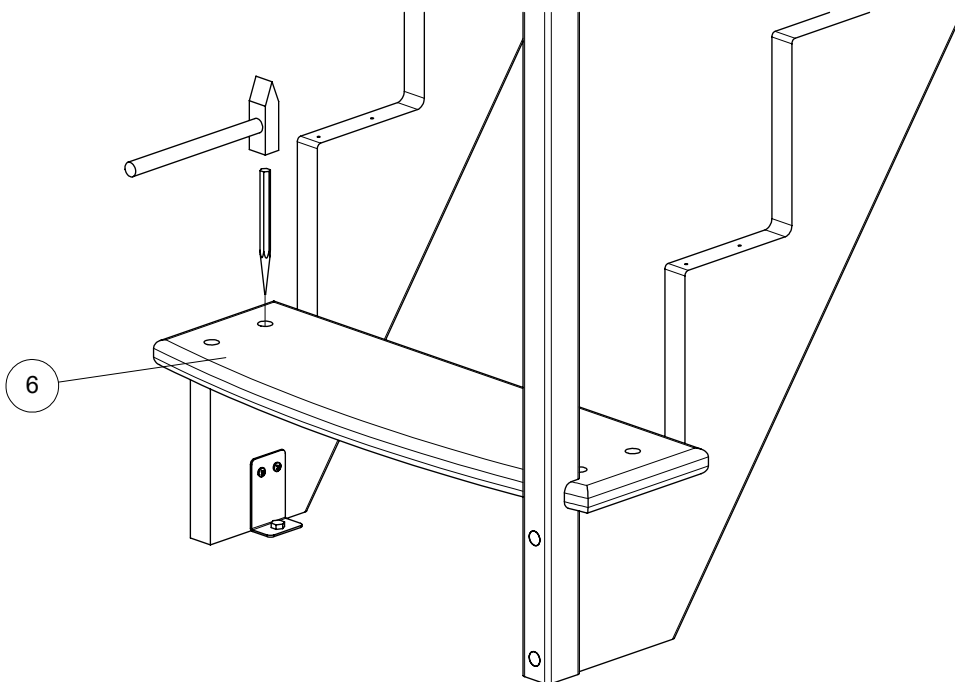
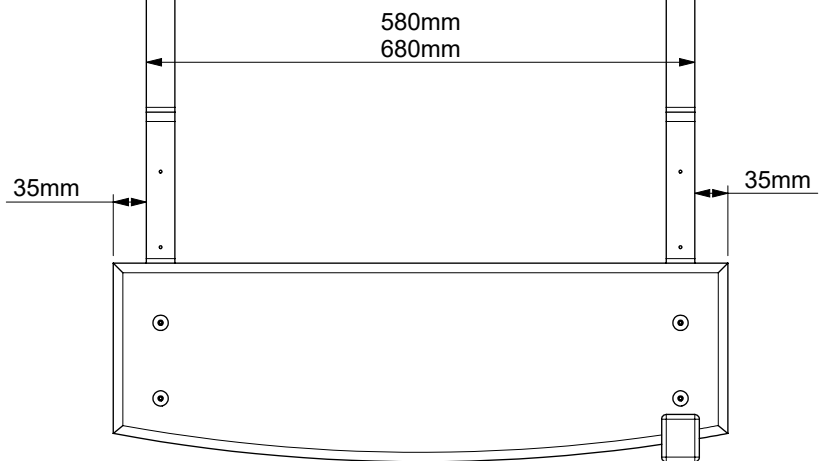
2



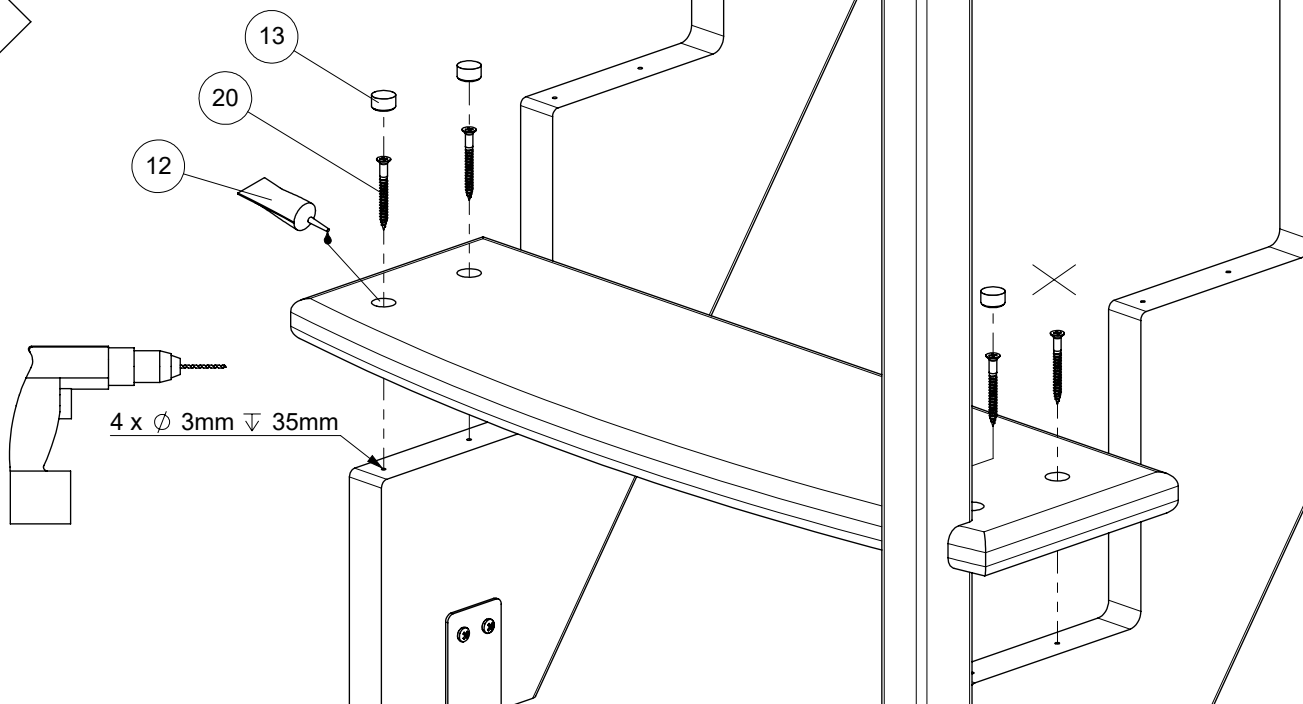
3



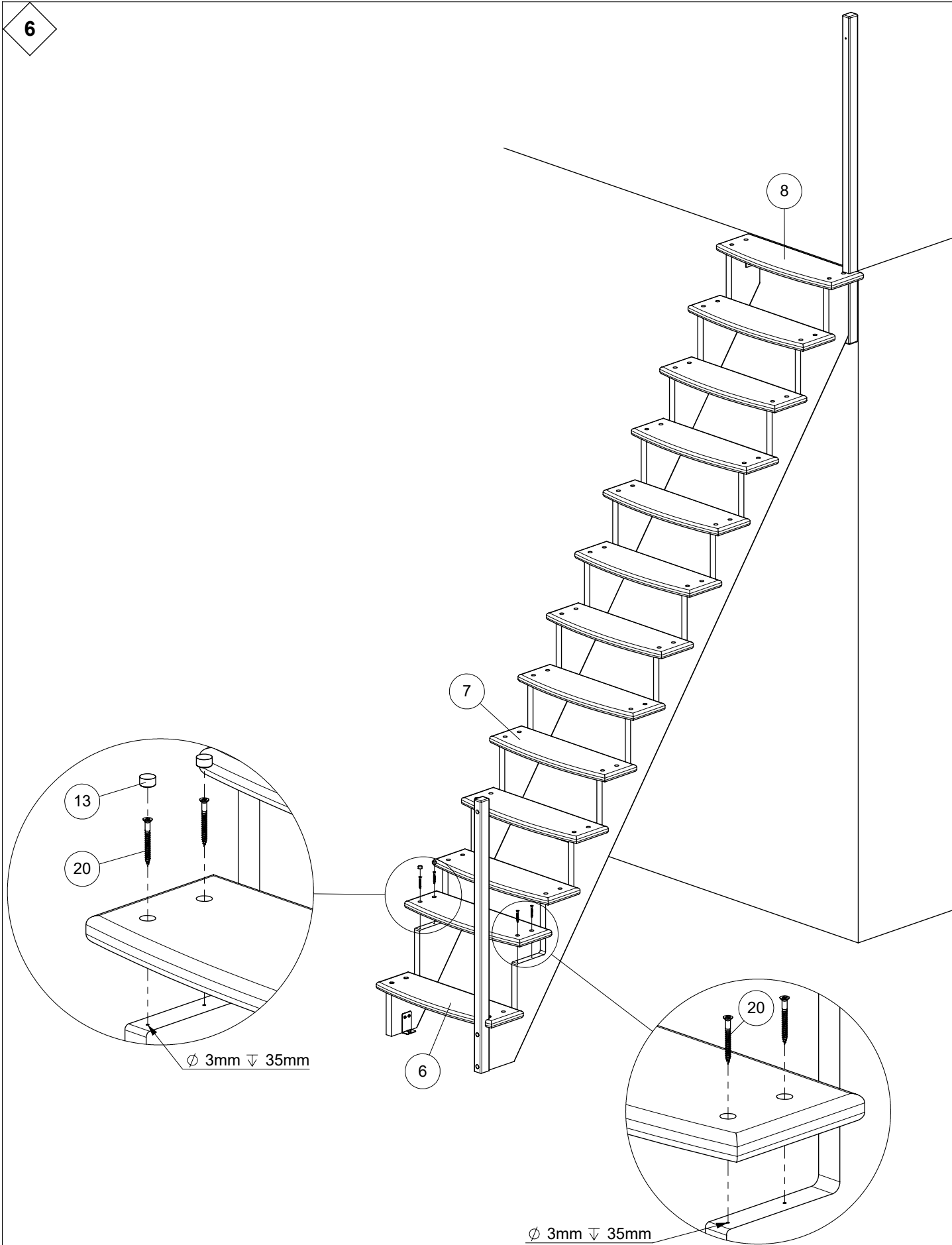
4



5



6



7

