



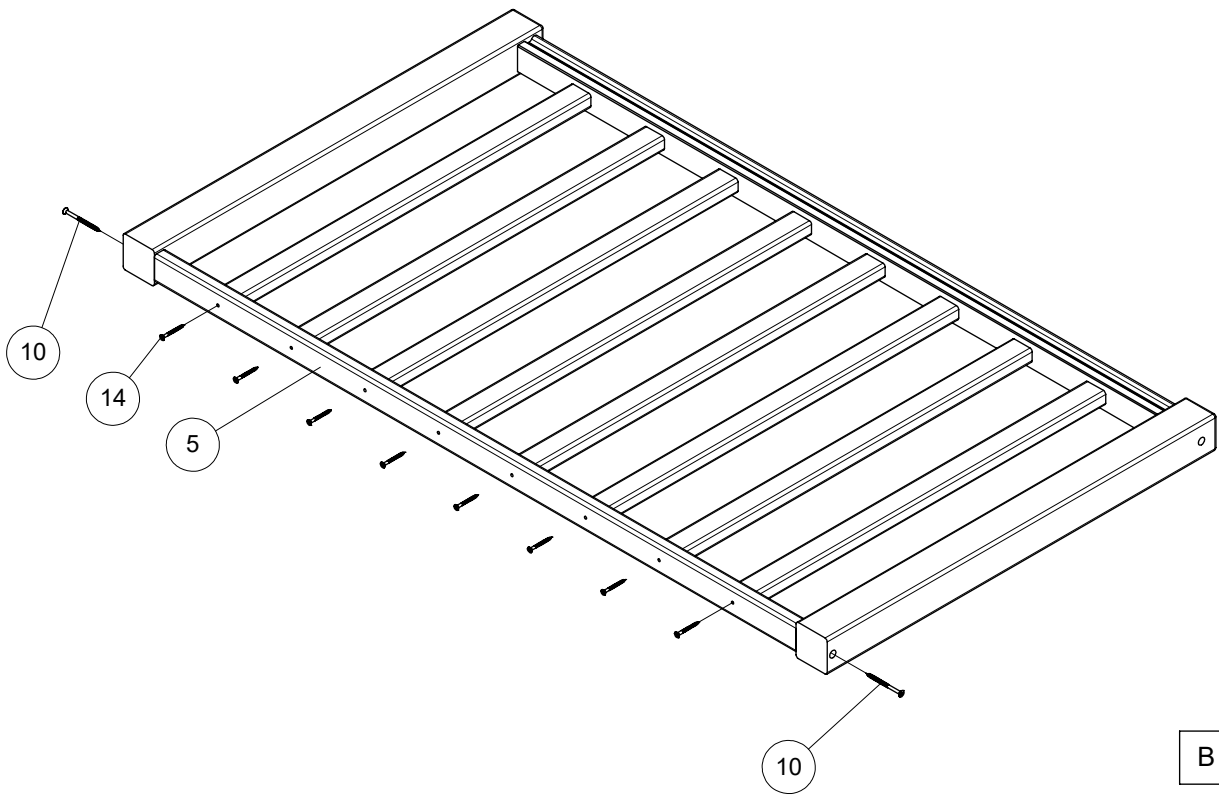




3

A

B



B



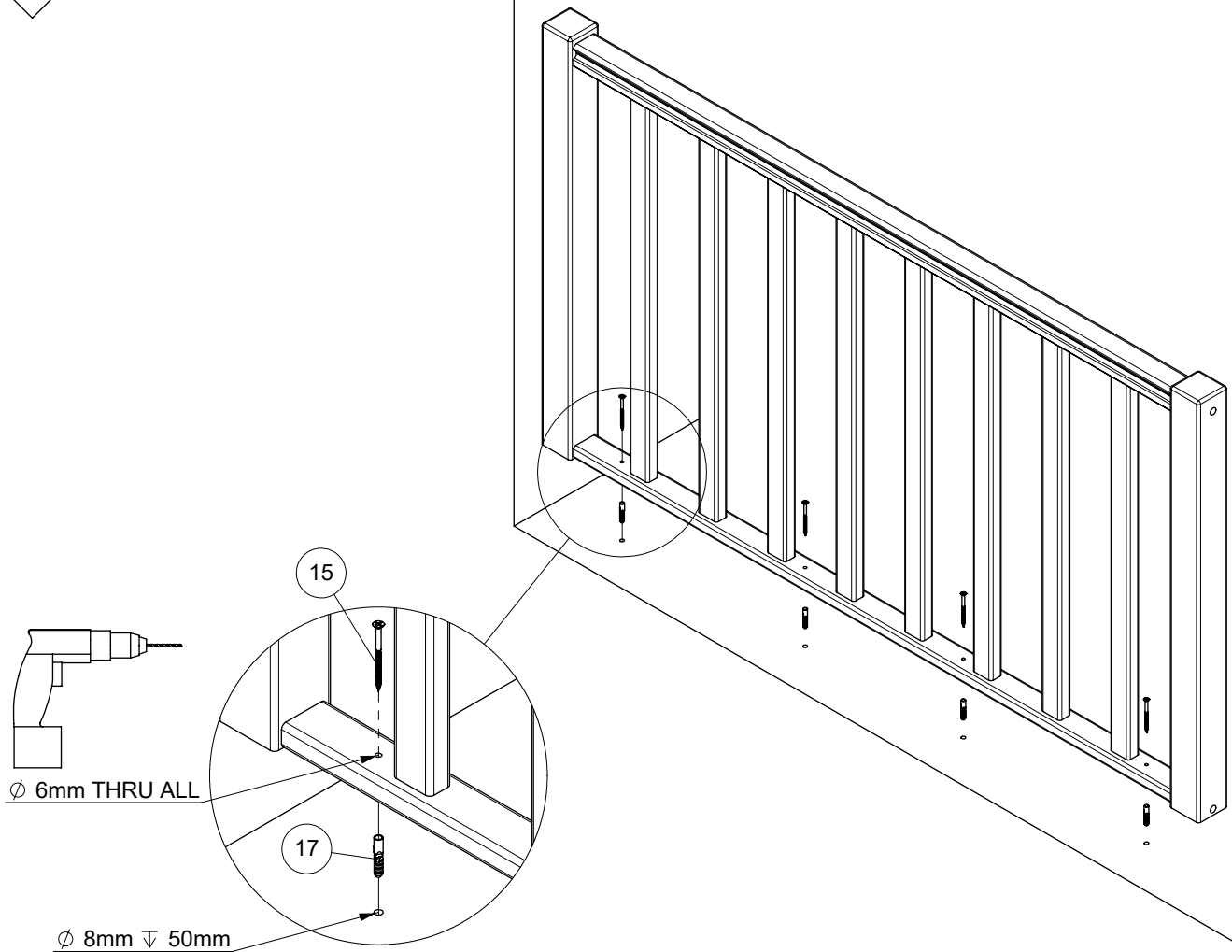
5

A



4

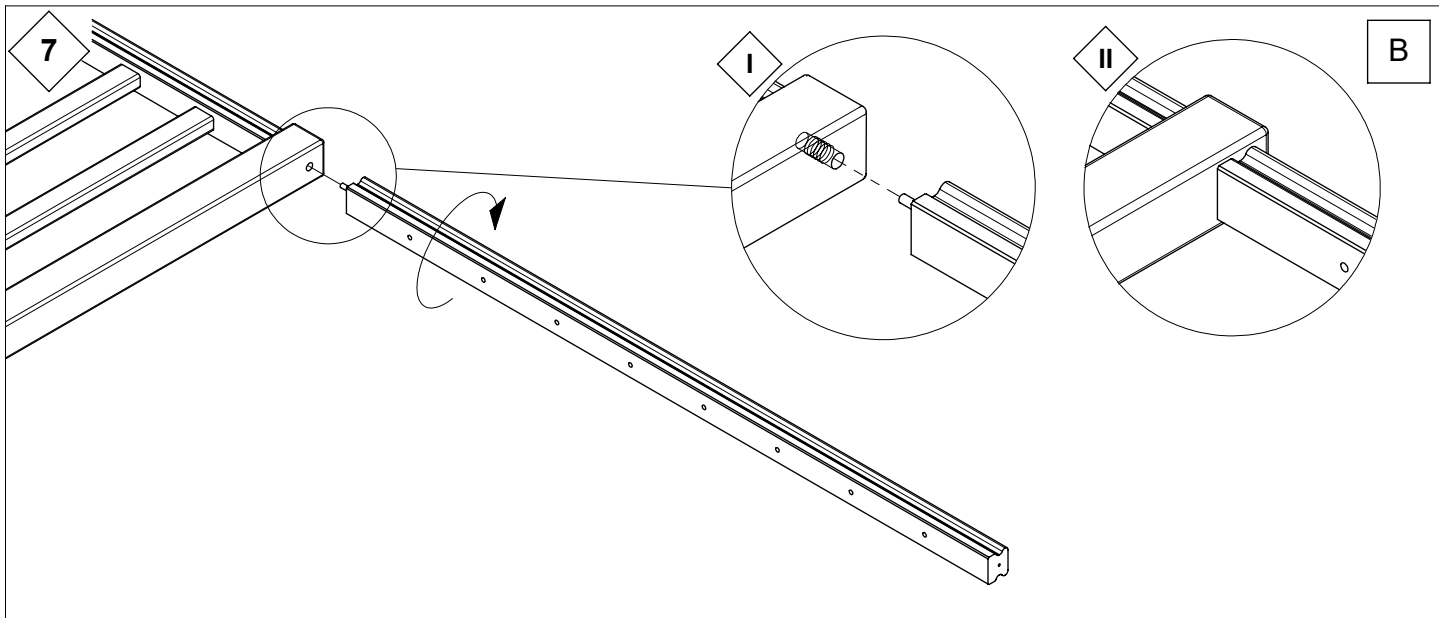
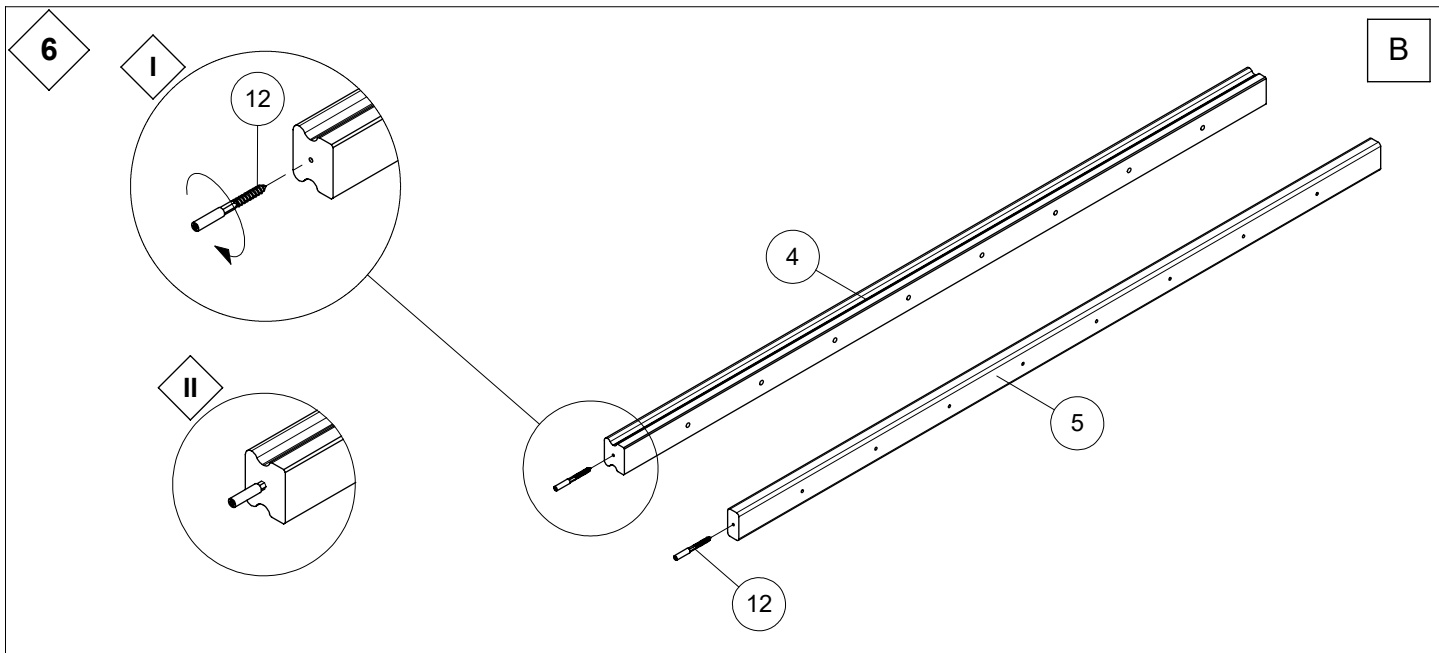
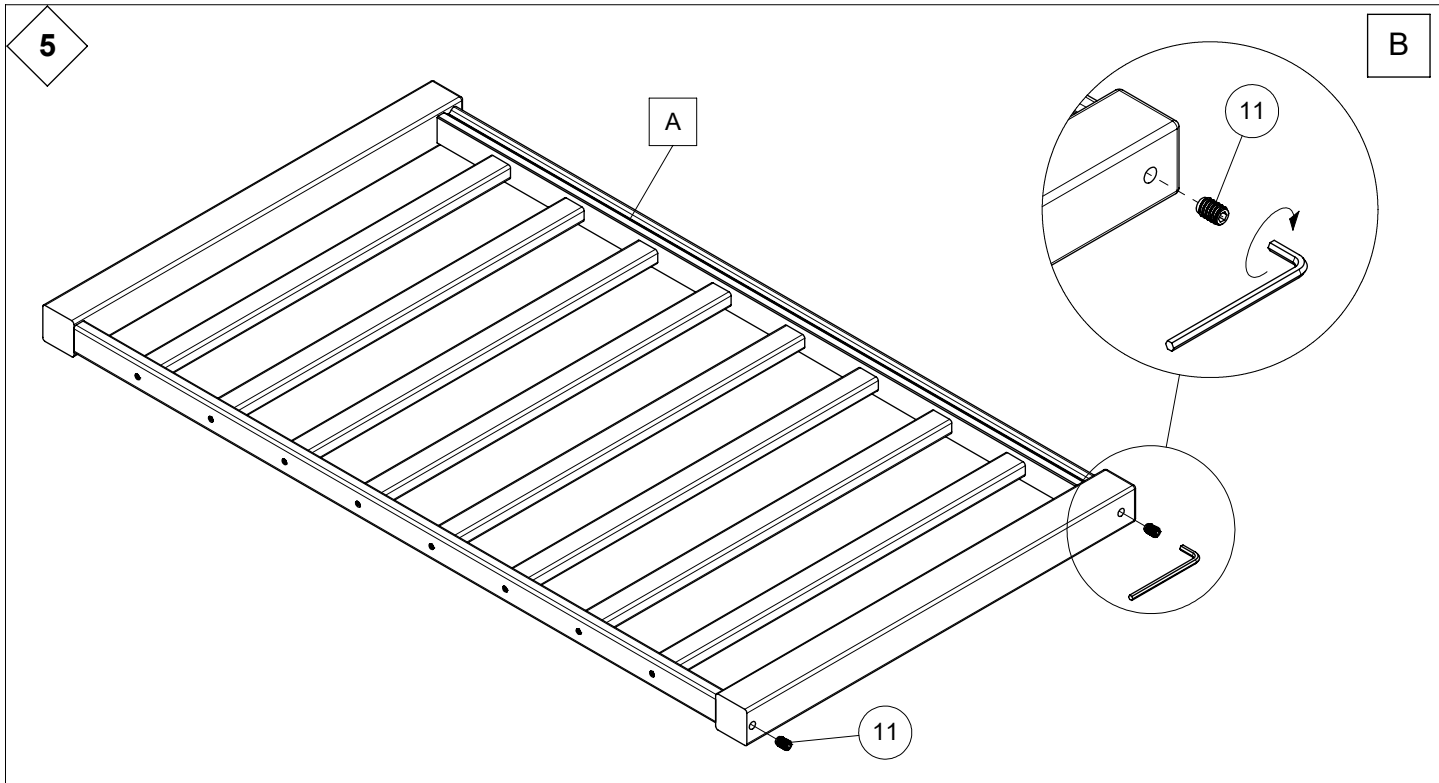
A

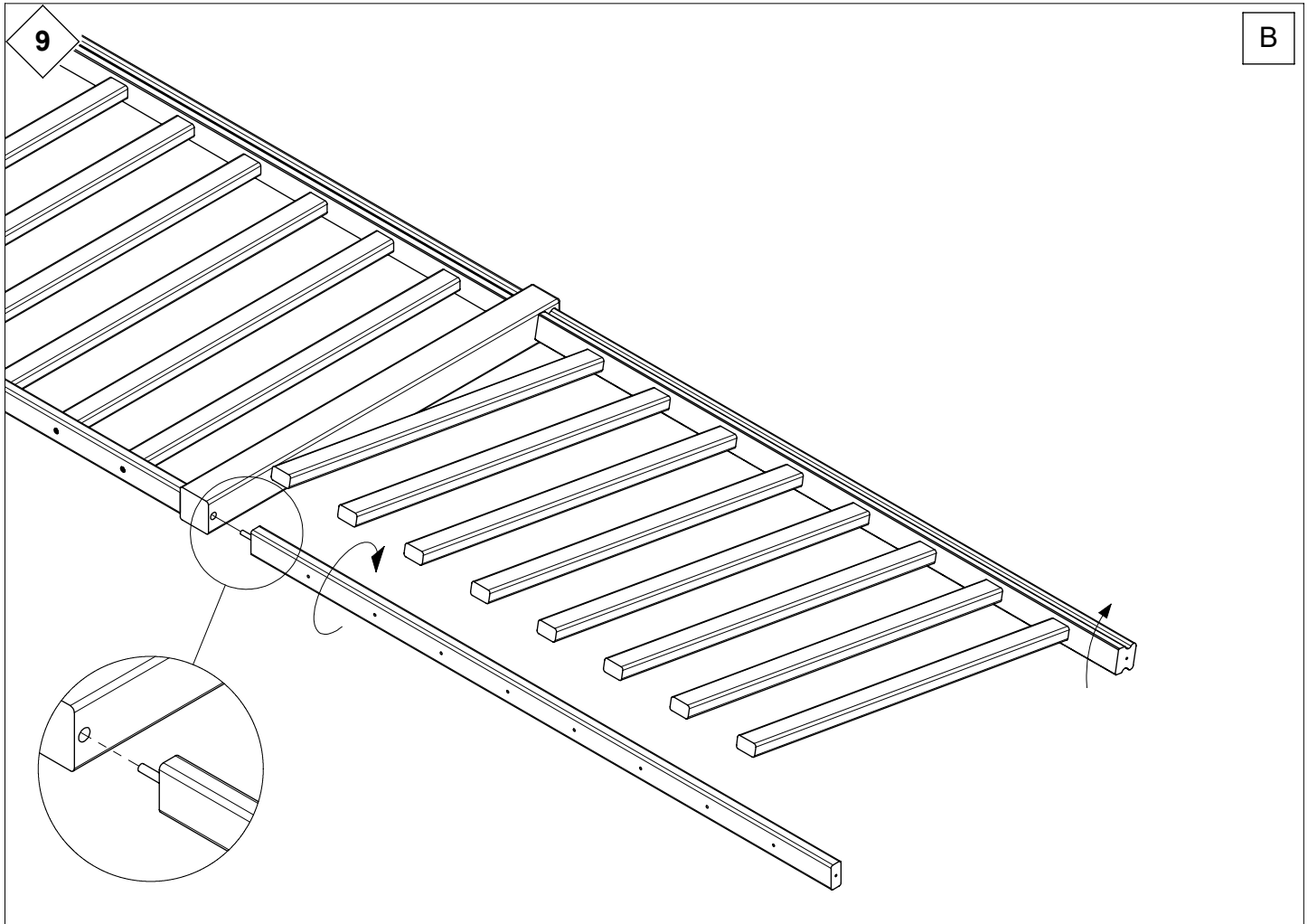
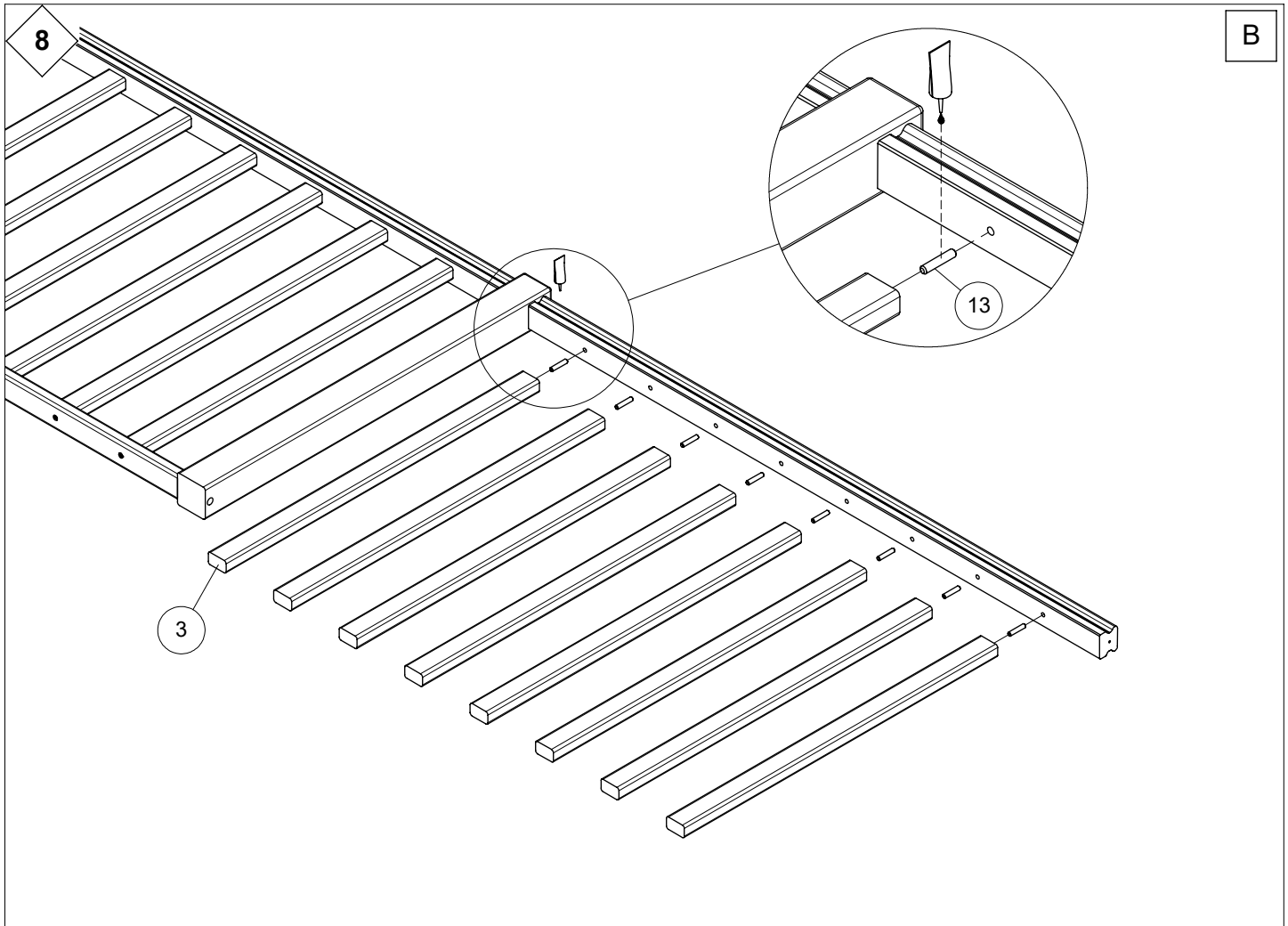


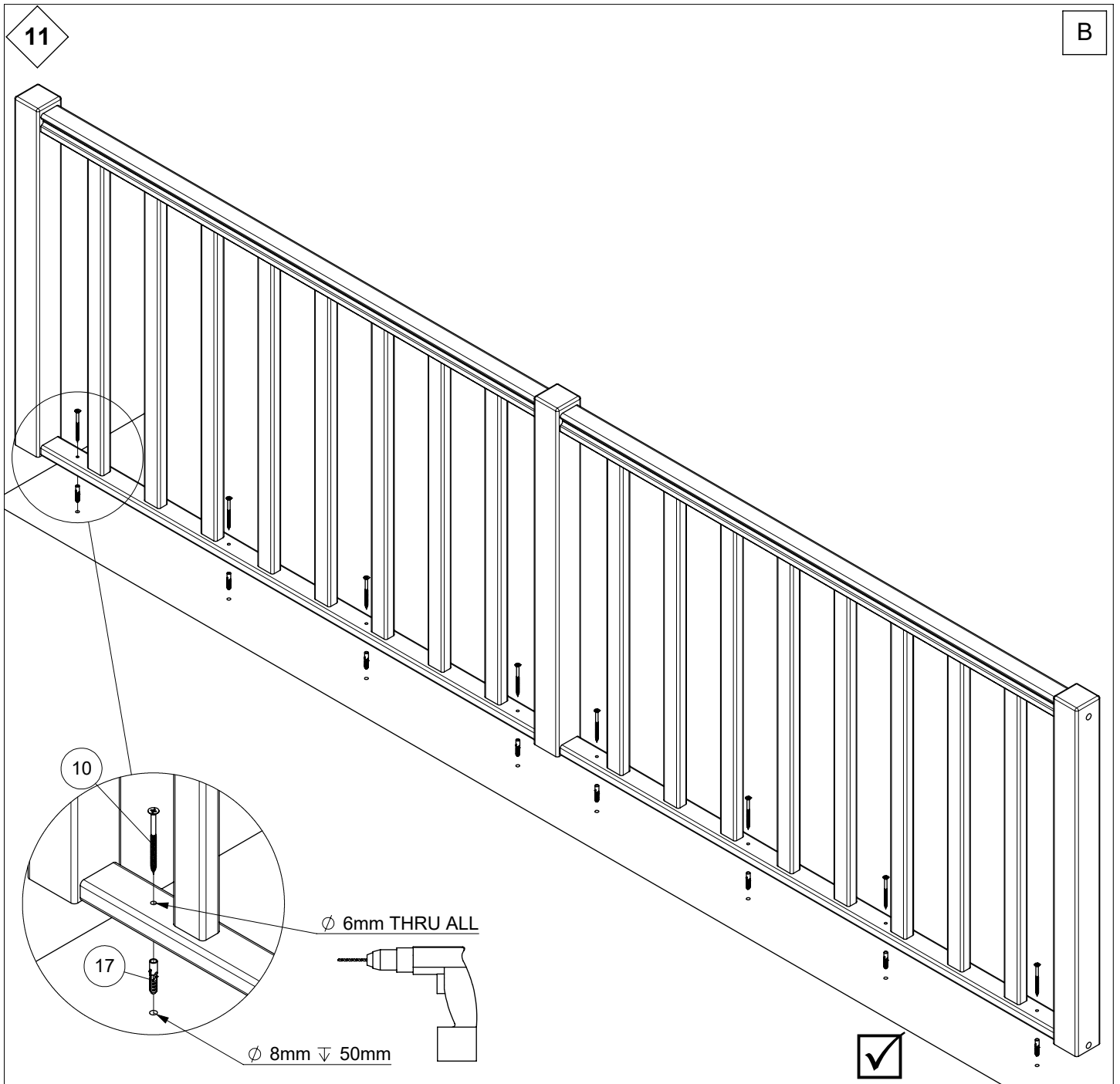
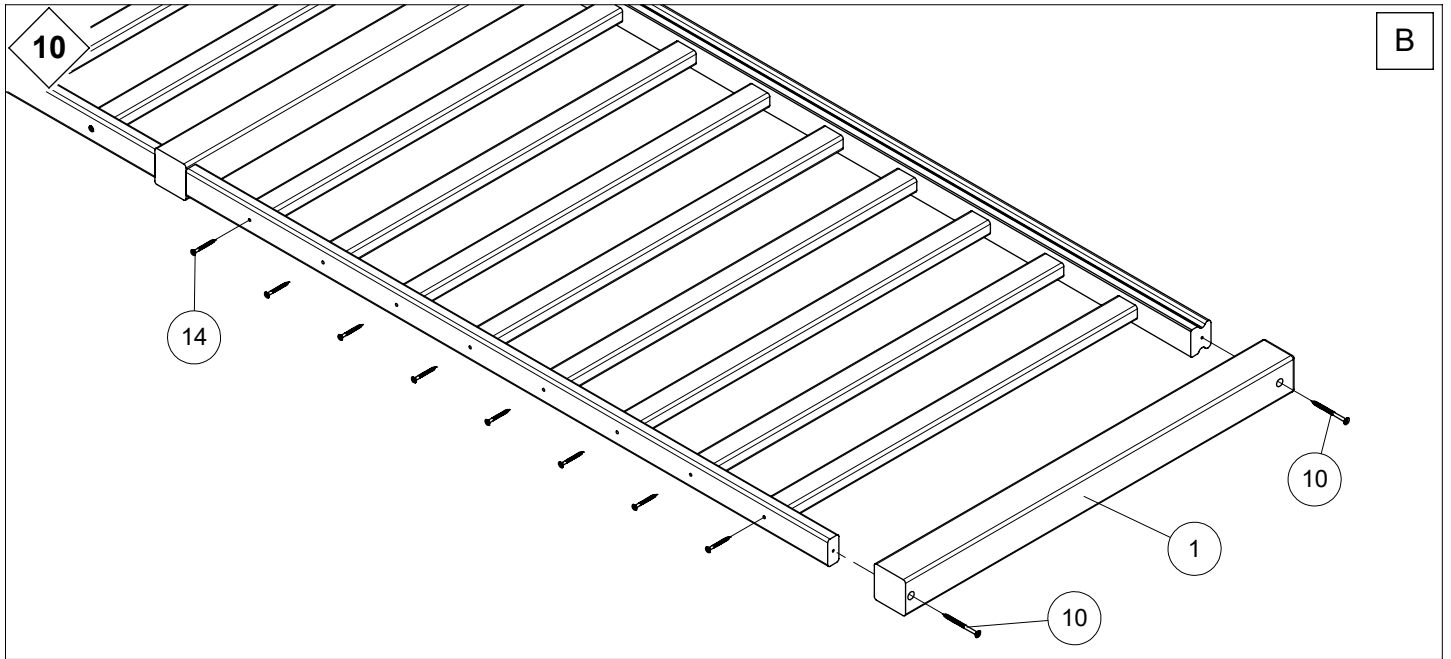
Ø 6mm THRU ALL

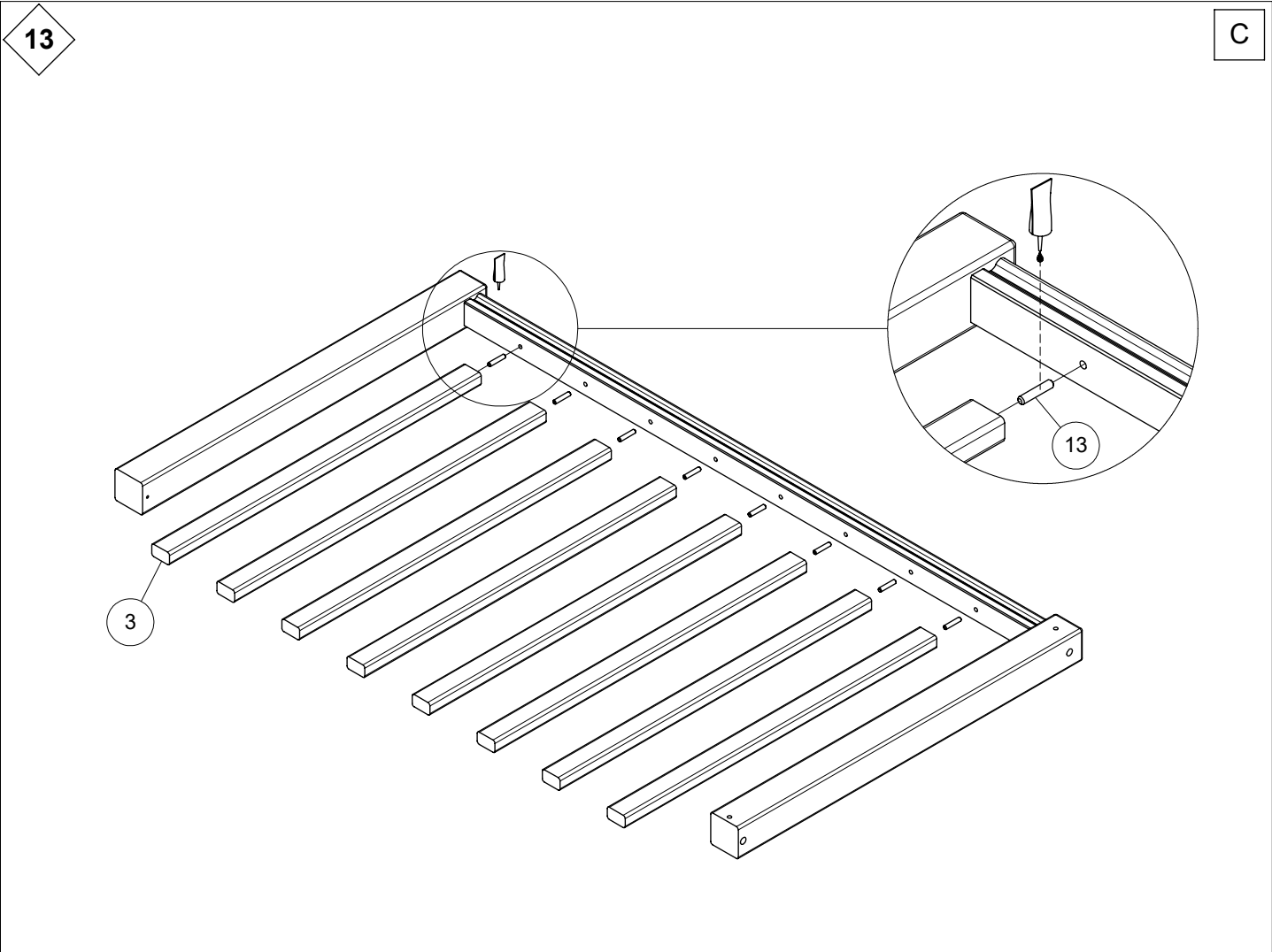
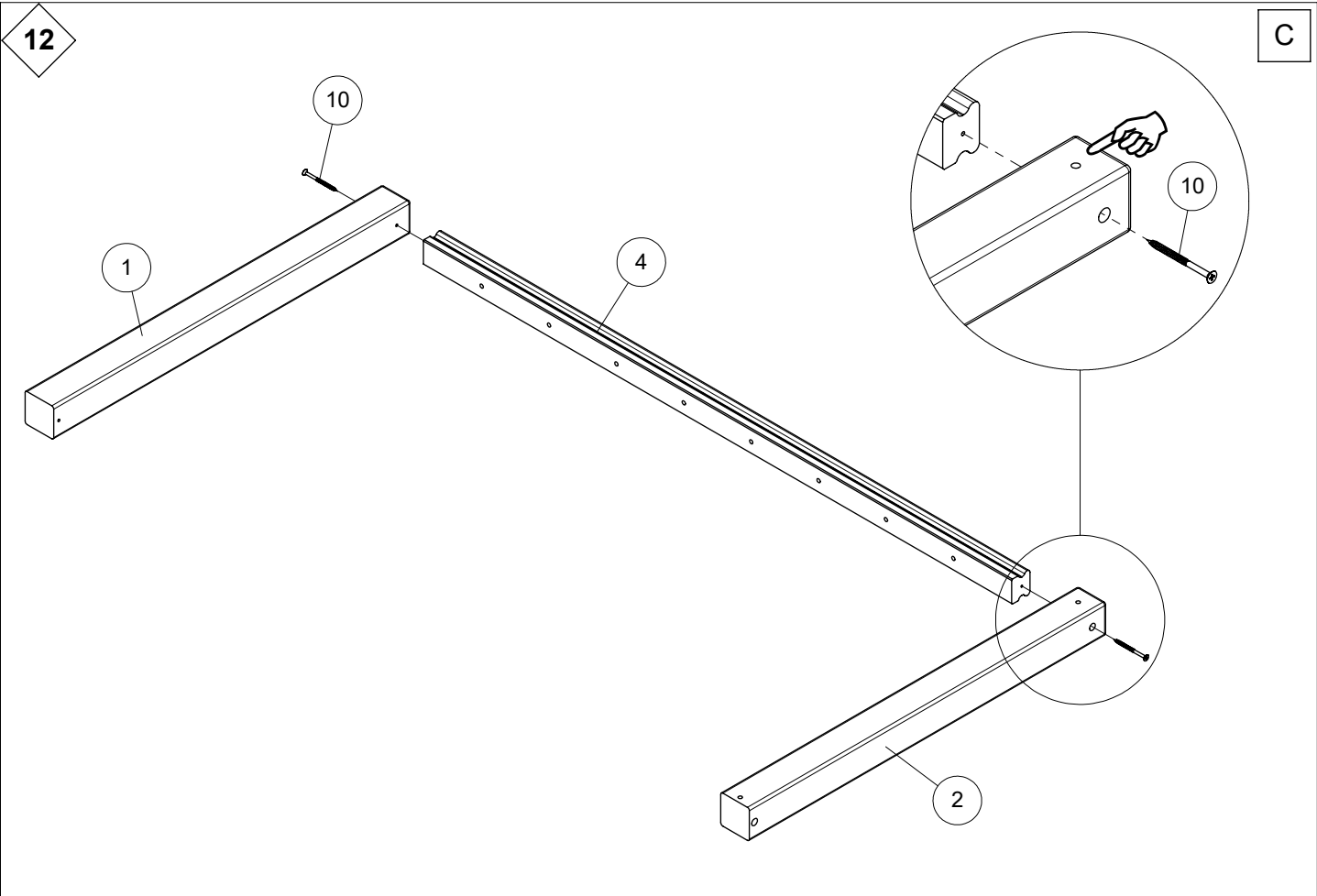
Ø 8mm ∇ 50mm



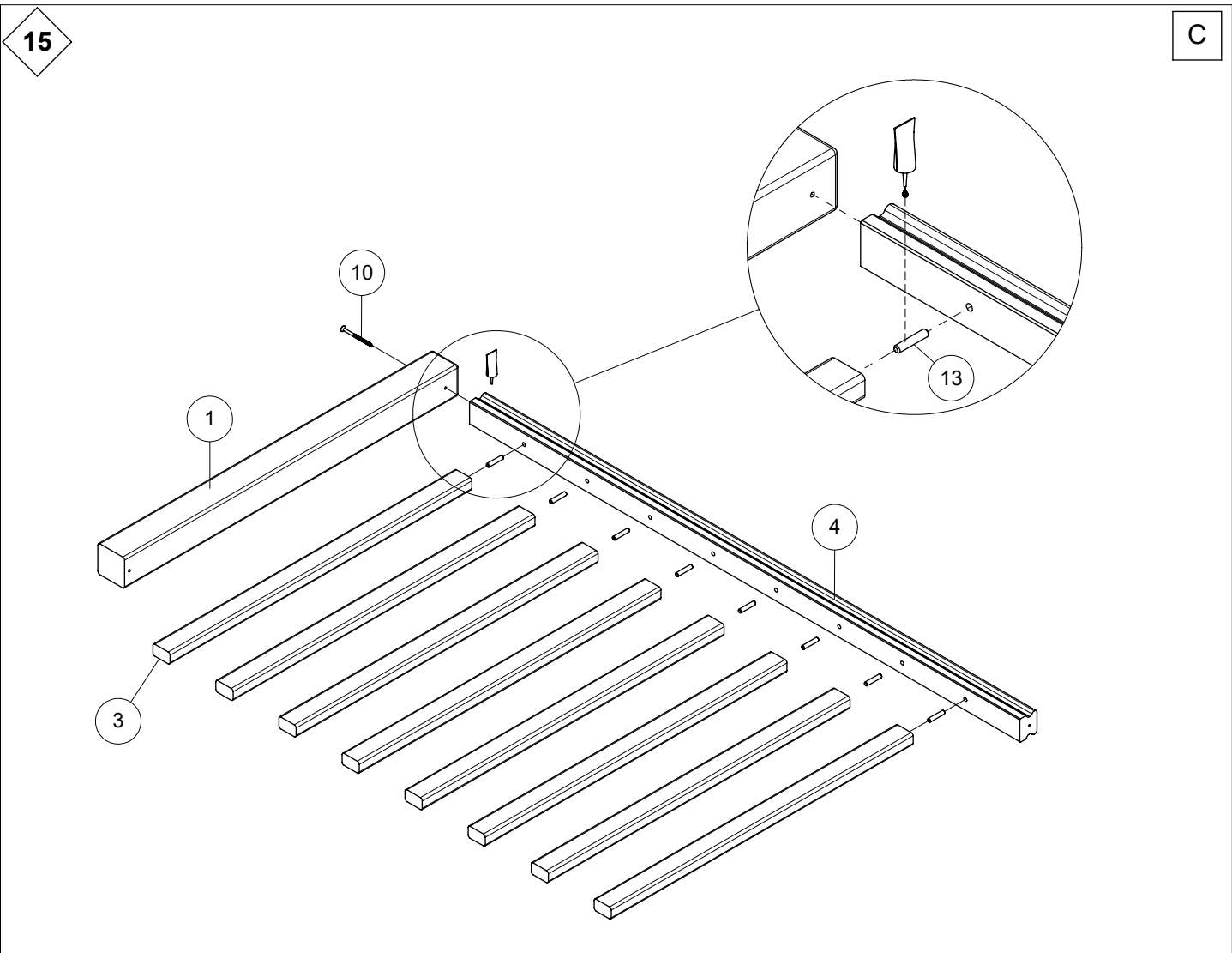
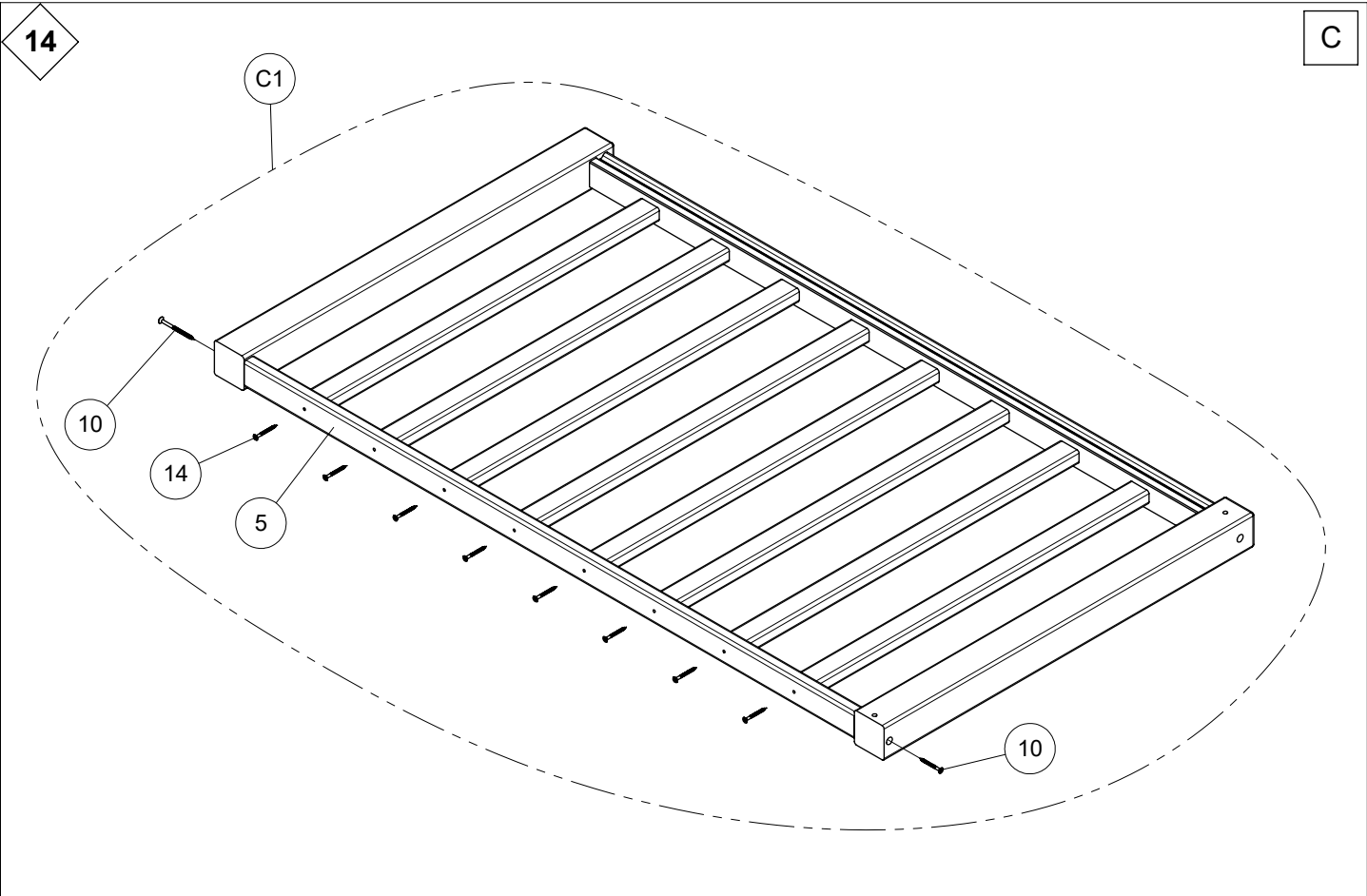






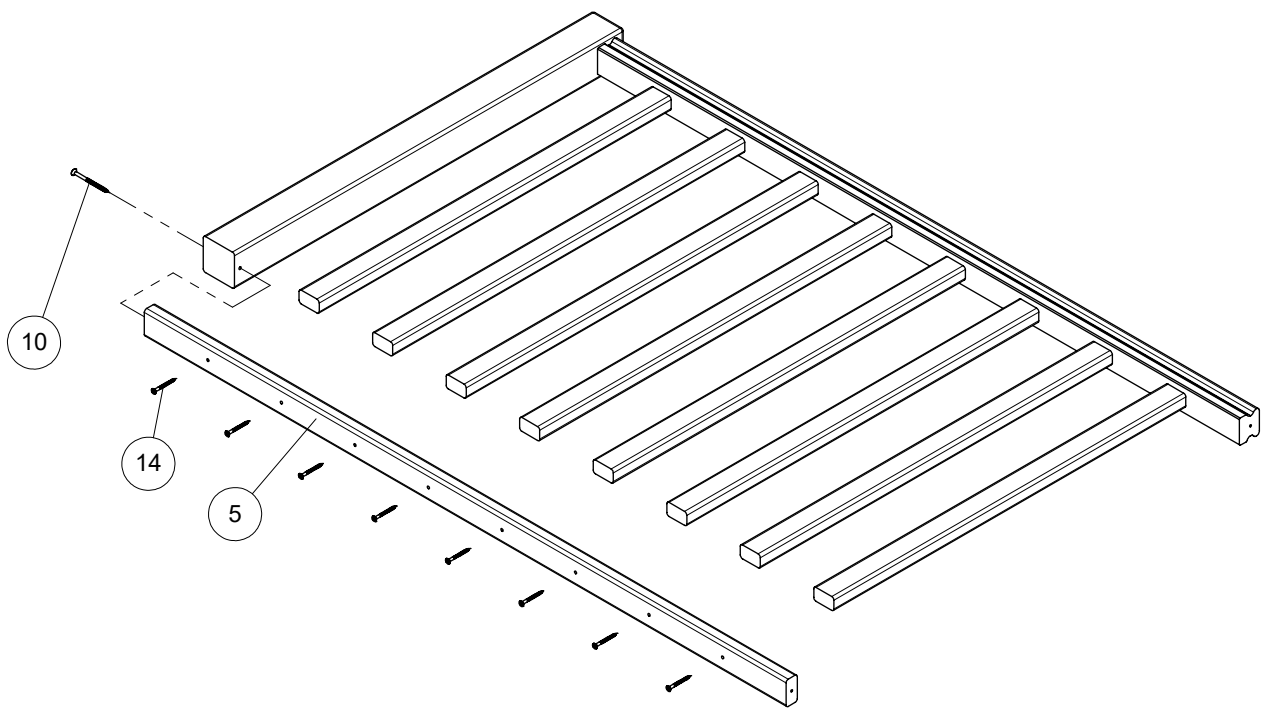






16

C



17

C

